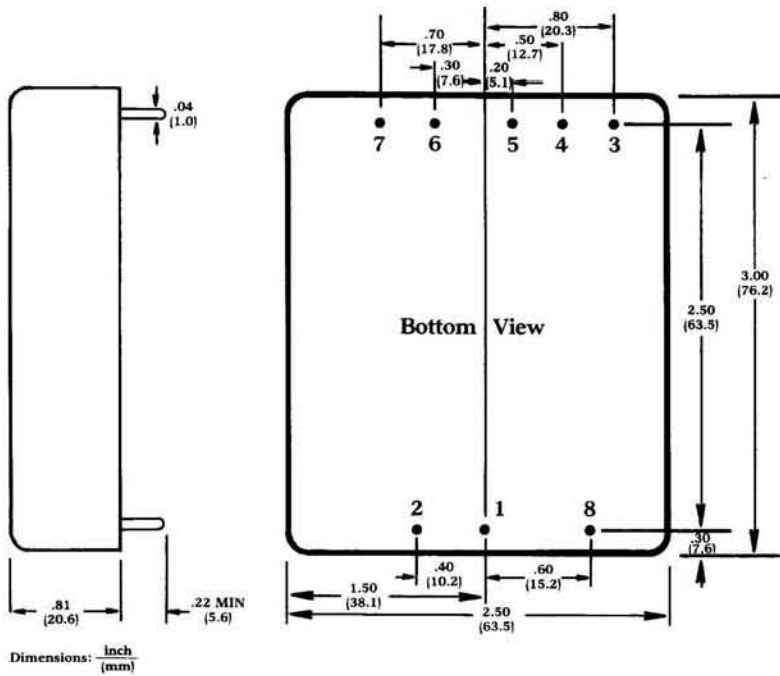


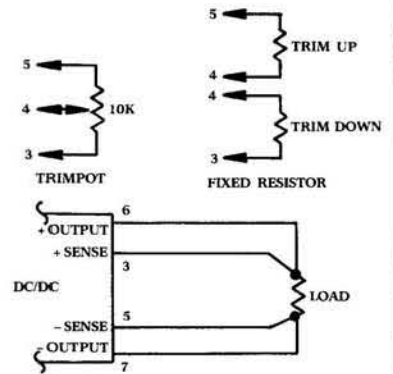
# MECHANICAL OUTLINES AND CONNECTIONS

DC700 Series

PIN	FUNCTION
1	+ INPUT
2	- INPUT
3	+ SENSE
4	TRIM
5	- SENSE
6	+ OUTPUT
7	- OUTPUT
8	ON/OFF

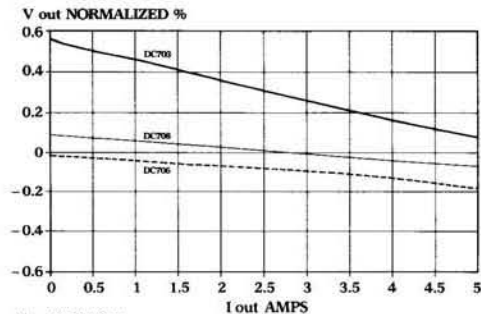


CONNECTIONS FOR OUTPUT TRIM

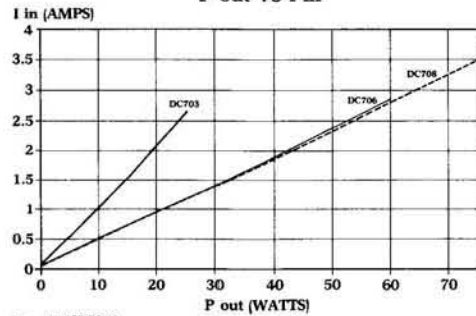


## PERFORMANCE CURVES

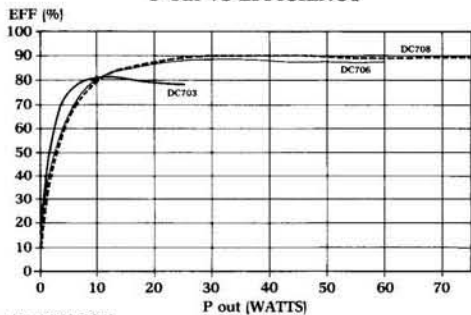
DC700 SERIES  
OUTPUT REGULATION



DC700 SERIES  
P out VS I in



DC700 SERIES  
P out VS EFFICIENCY



DC700 SERIES  
POWER DERATING CURVE

